

Sanitana

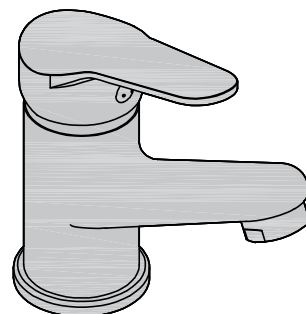
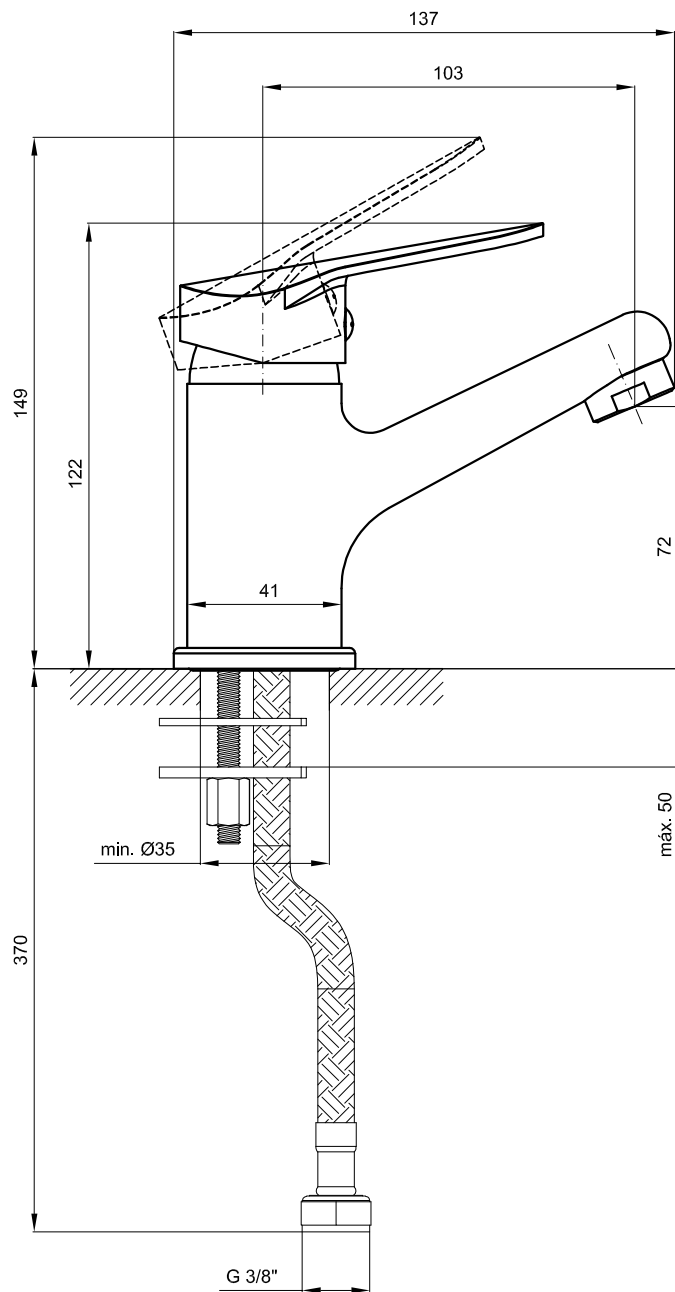
CARACTERÍSTICAS DO MODELO:

- MATERIAL: LATÃO CROMADO
- CARTUCHO ECOLÓGICO Ø 35mm COM DISCOS CERÂMICOS
- GARANTIA DE 5 ANOS
- PESO: 0.78 KG

PEÇA:

- DESCRIÇÃO: TORNEIRA DE LAVATÓRIO
- SÉRIE: XS-N
- VERSÃO: MONOCOMANDO S/VDA
- REF: S50201950212600

CROQUIS COM DIMENSÕES GERAIS E DE LIGAÇÃO:



COMPONENTES INCLUÍDOS:

- FLEXÍVEIS DE ALIMENTAÇÃO DE 3/8"

PRODUTOS ASSOCIADOS:

- VÁLVULAS: (OPCIONAL, VER CATÁLOGO GERAL)
- LAVATÓRIOS: (OPCIONAL, VER CATÁLOGO GERAL)

Sanitana

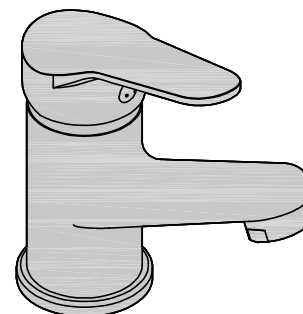
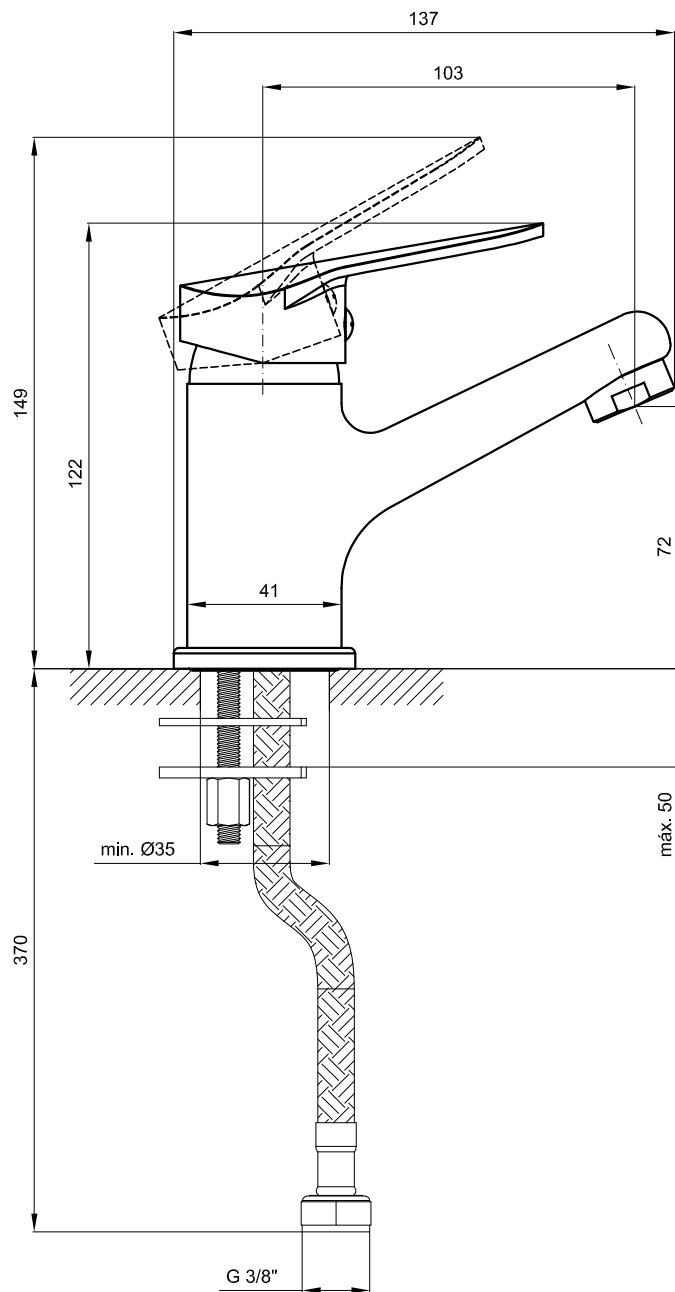
FEATURES OF THE MODEL:

- MATERIAL: BRASS CHROME
- ECOLOGIC CARTRIDGE INSIDE Ø 35mm WITH CERAMIC DISCS
- 5 YEARS WARRANTY
- WEIGHT: 0.78 KG

PART:

- DESCRIPTION: WASHBASIN MIXER
- SERIES: XS-N
- VERSION: SINGLE LEVER W/O VDA
- REF: S50201950212600

SKETCH WITH DIMENSIONS AND CONNECTIONS:



INCLUDED COMPONENTS:

- 3/8" FLEXIBLE CONNECTING HOSES

RELATED PRODUCTS:

- WASTE VALVE: (OPTIONAL, CONSULT GENERAL CATALOGUE)
- WASHBASINS: (OPTIONAL, CONSULT GENERAL CATALOGUE)

FORM N°: SDRW-000040280-a

The products presented follow technical specifications by Sanitana SA. Dimensions provided are indicative only. For custom installation, should only be considered the dimensions measured directly on the part to be installed. We reserve the right to make technical changes to improve the functionality of our products without prior notice.